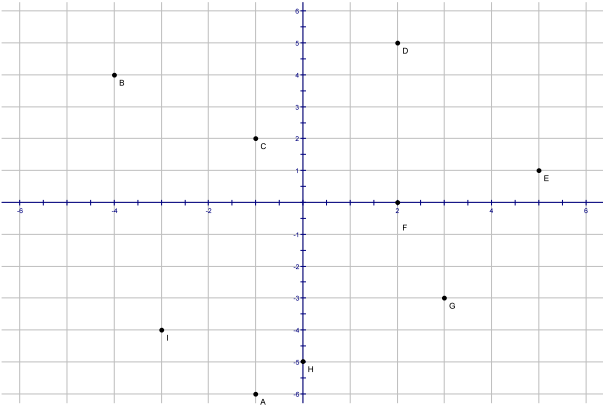


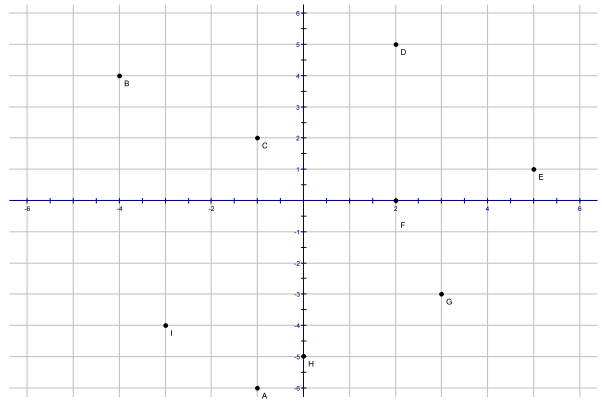
## Transformations 2.2

### Geometry

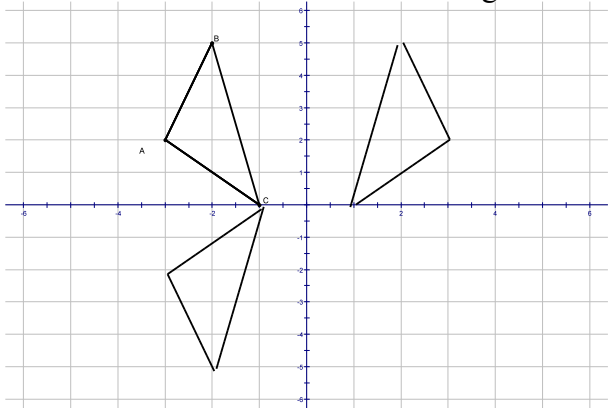
1) Reflect all points over the x-axis and give the coordinates of the image.



2) Reflect all points over the y-axis and give the coordinates of the image.

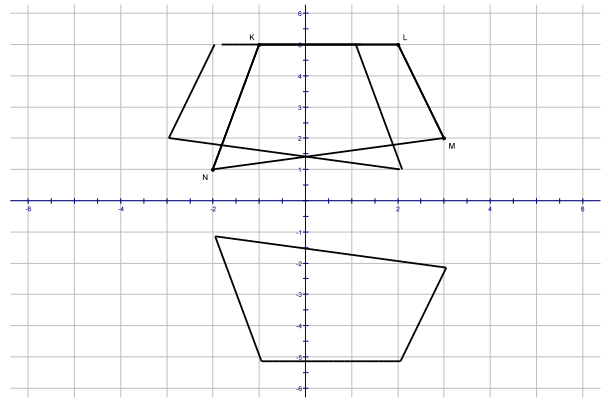


3) Reflect the shape over both axes and give the coordinates of the vertices in each image.

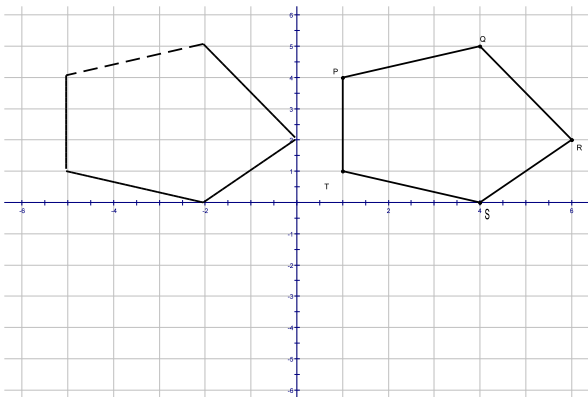


GIVE  
COORDS!

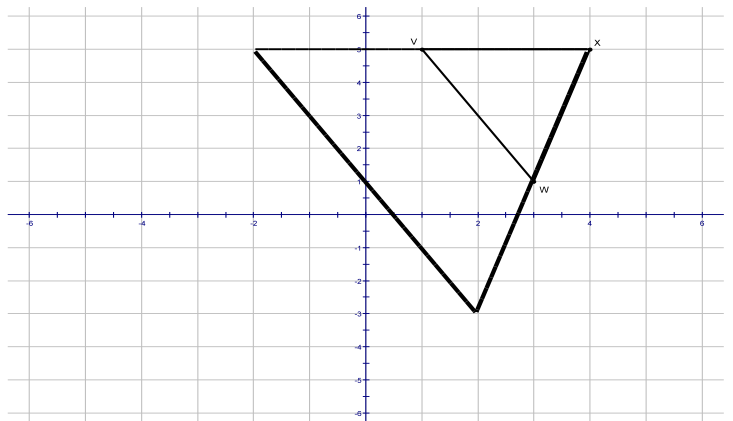
4) Reflect the shape over both axes and give the coordinates of the vertices in each image.



5) Translate the object 6 units to the left and give the coordinates of the vertices in the image.



6) Dilate the object by a factor of 2 from point X. Give the coordinates of the vertices in the image.



7) If the vertices of a shape have coordinates  $(-5, 4)$ ,  $(-2, 3)$ ,  $(-4, -3)$ , and  $(-2, -1)$  and, after being transformed, the vertices of the image have coordinates  $(5, 4)$ ,  $(2, 3)$ ,  $(4, -3)$ , and  $(2, -1)$ , what was the transformation that occurred?  
**REFLECTION**

8) If the vertices of a shape have coordinates  $(-6, 5)$ ,  $(-2, 6)$ , and  $(-1, 1)$  and, after being transformed, the vertices of the image have coordinates  $(-6, 5)$ ,  $(2, 7)$ , and  $(4, -3)$ , what was the transformation that occurred?  
**DILATION**